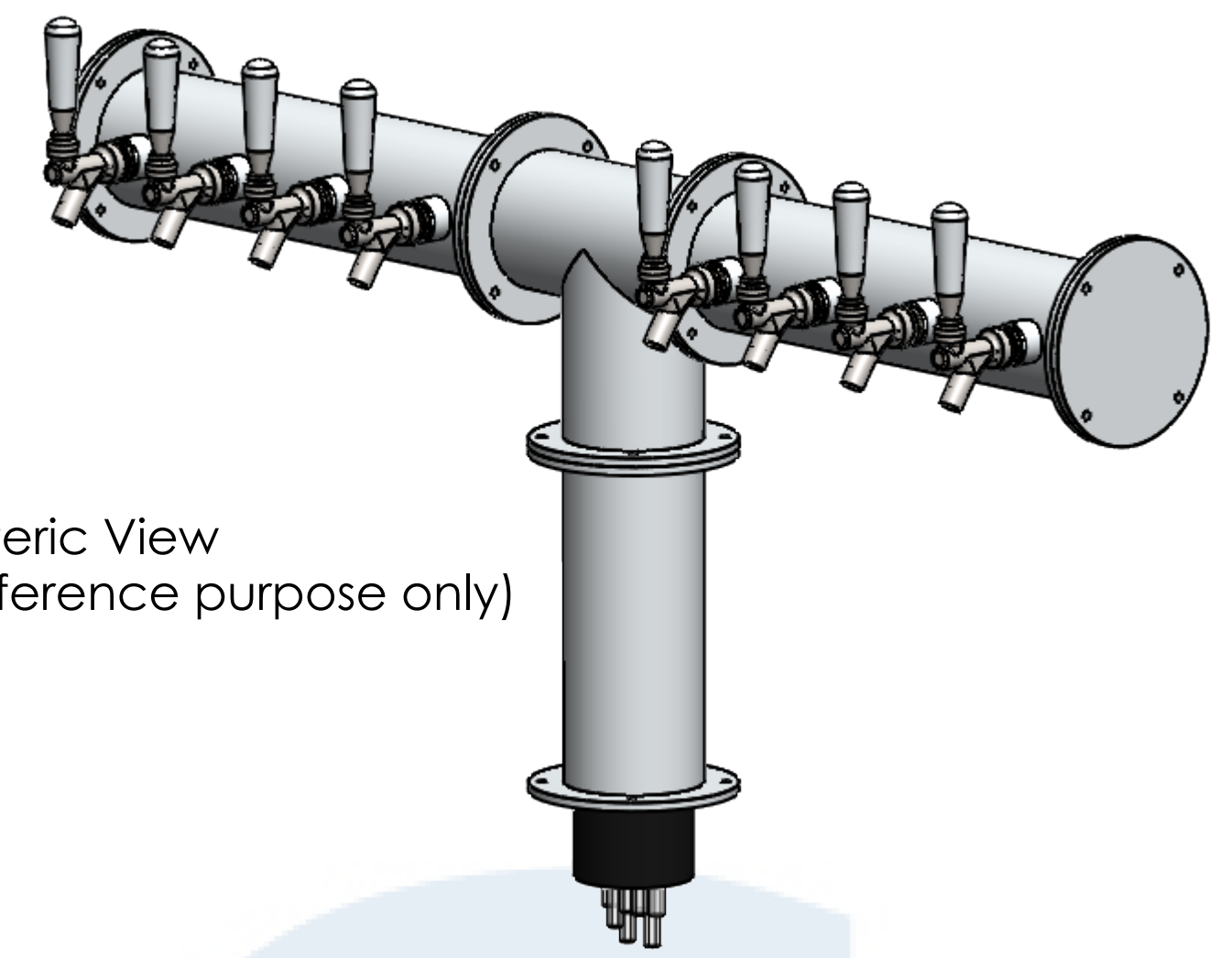
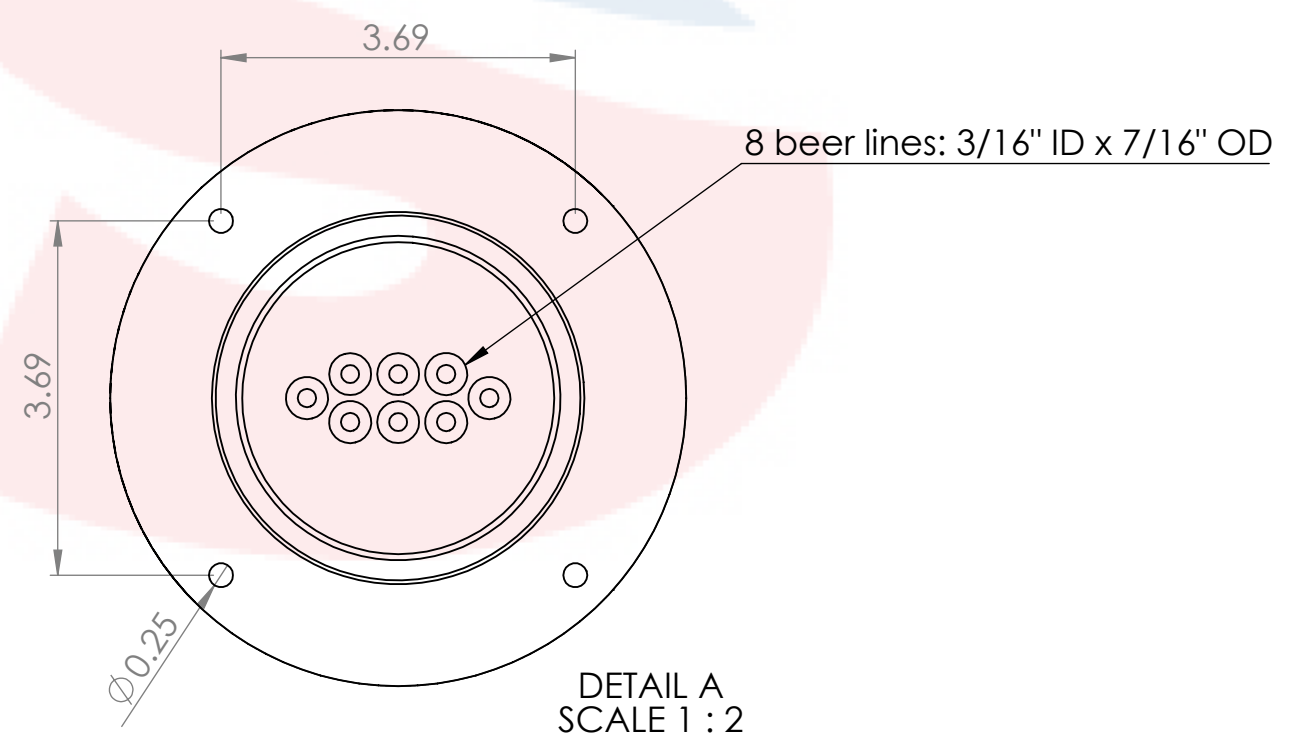


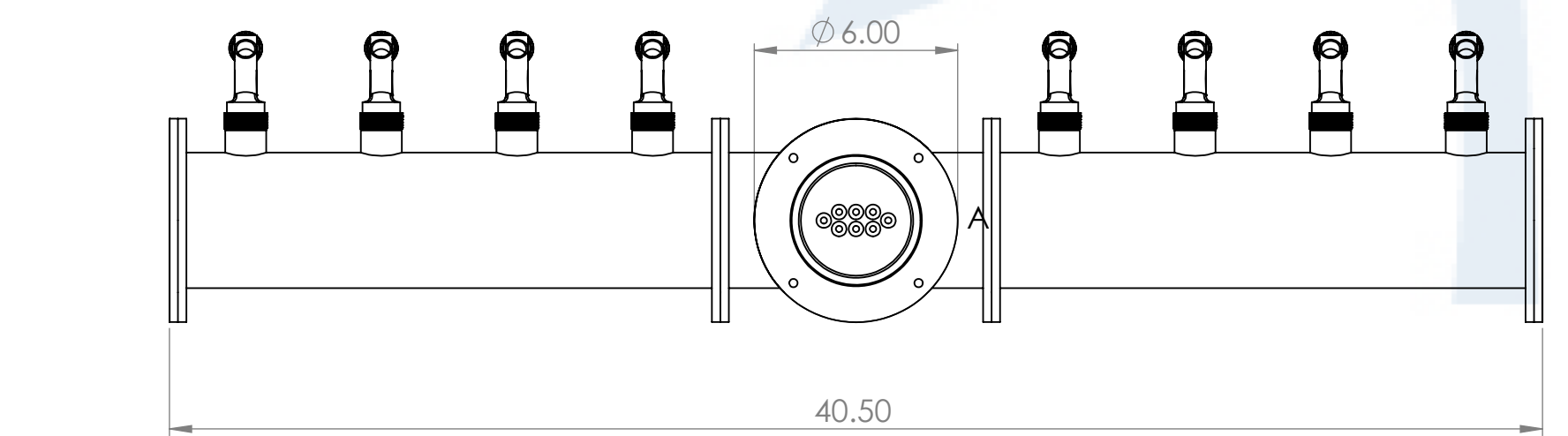
304SS tube connected to CBS NSF Flexible Total Barrier Tubing to 15lbs of Restriction



Isometric View
(For reference purpose only)



DETAIL A
SCALE 1 : 2



Suggested Drip Tray:
 BB701339 - 39" x 7" BSS Drip Tray
 BB702439 - 39" x 7" BSS Spray Drip Tray



Name		Date		Title:	
Drawn by:	Canadian Beverage Supply Inc.	11/17/2022		4" 8 Tap Condor Tower	
Approved by:	VP Sales			Part Number:	Revision:
Material:	304 SS	Finish:	Polished SS	BB102612-08SS	
Unless otherwise mentioned, dimensions are inches				SCALE:	SHEET 1 OF 1
				1:5	